



Coupling Foot 801985

PRODUCT DETAILS

The Bianco PDG is a pump model proven in service for many years. Suitable for pumping biological wastewater / sewage in applications requiring high head pressures. With its robust cast iron construction and proven high carbon martensitic stainless steel macerating ring solids and fibrous matter are ground into small particles that can be safely pumped through small diameter piping

APPLICATIONS

- Intermittent duty pumping sanitary sewage
- Suitable for pumping biological wastewater / sewage
- Pressure sewer applications

FEATURES

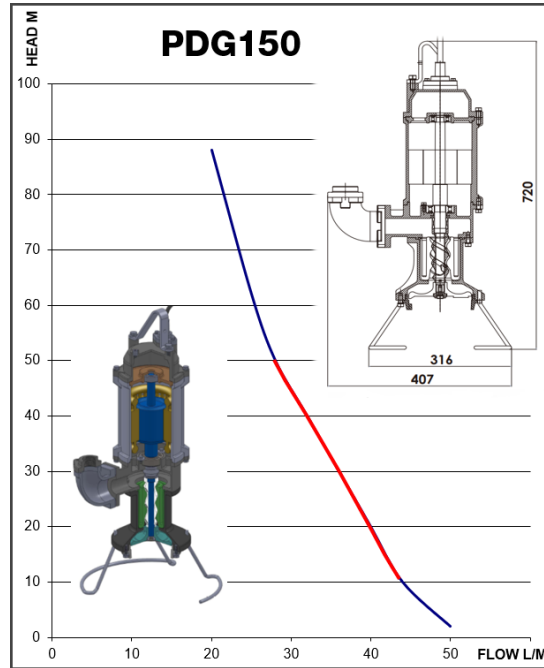
- Cast iron body
- High carbon martensitic stainless steel macerating ring
- Free standing or coupling foot options

TECHNICAL DATA

OUTPUT POWER (KW)	1.1kW P2
MOTOR NO LOAD W	430 W
MAX. HEAD [M]	90M
MAX. FLOW L/MIN	50 l/min
LIQUID TEMPERATURE	2 - 40 deg C
MAXIMUM TEMPERATURE	50 deg C
MOTOR	4 pole induction motor
MOTOR INSULATION	B Class insulation
MOTOR PROTECTION	In-built thermal overload
PROTECTION CLASS	IP68

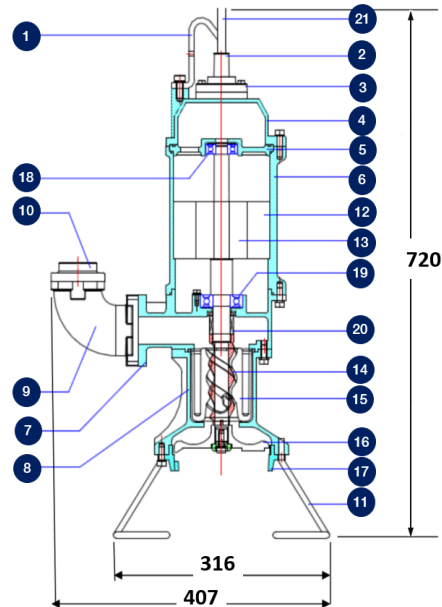
RATED VOLTAGE	415V +10/-16% AC 50 Hz 3 phase
CURRENT	No load = 1.3 A / FLC = 2.1A Max Current 3A
POWER CABLE	9.5m long 10 amp rated H07 flex
MAX SUBMERGENCE	6.5 meters
AUTOMATIC OPERATION	No
PUMP BODY	Cast Iron
INTERNALS	Stainless rotor / Elastomer stator
MECHANICAL SEAL	Silicon Carbide / Silicon Carbide
OUTLET	1 1/4" BSPF
GROSS WEIGHT (KG)	40 kg

CURVE AND DIMENSIONS



SPARES

801978	(14) Screw Rotor
801979	(14) Stator Rubber
801980	(15a) Stator Cover
801981	(20) Mechanical Seal
801982	(16) Cutter
801983	(17) Cutter Ring
801985	Coupling Foot
805649	300uF Start Capacitor
805650	30uF Run Capacitor



WARRANTY / CERTIFICATIONS

